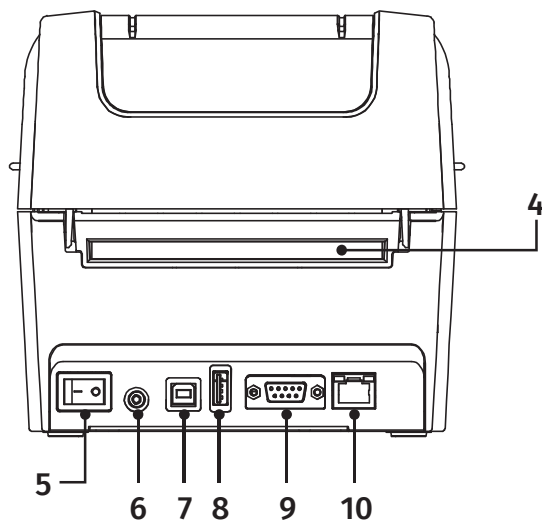
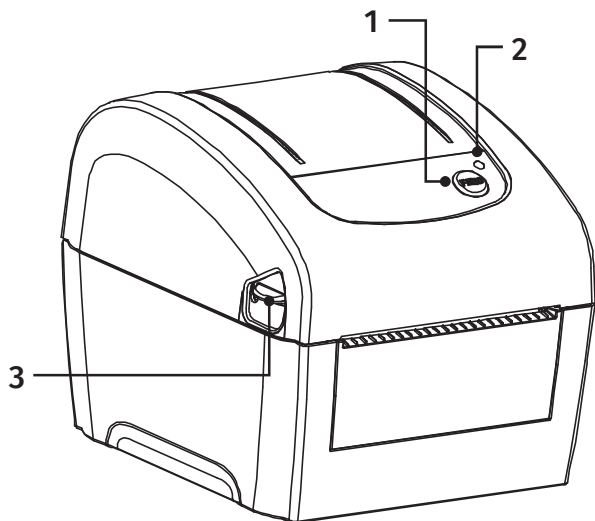


USER'S SETUP GUIDE

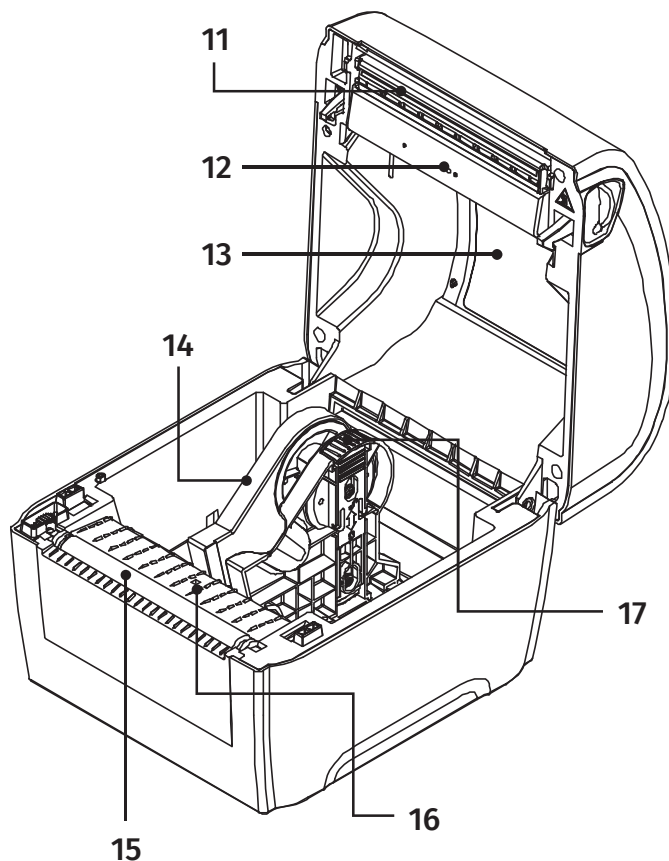
EN

MetoPrintEasy

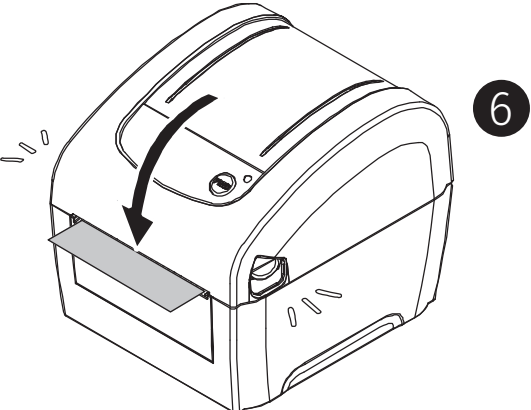
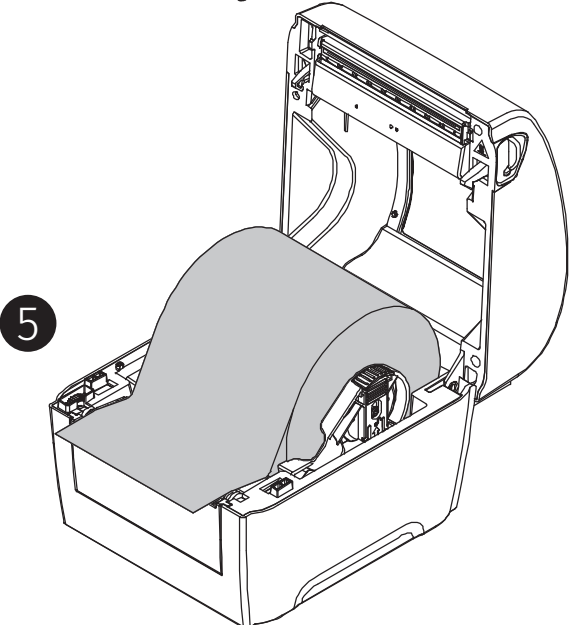
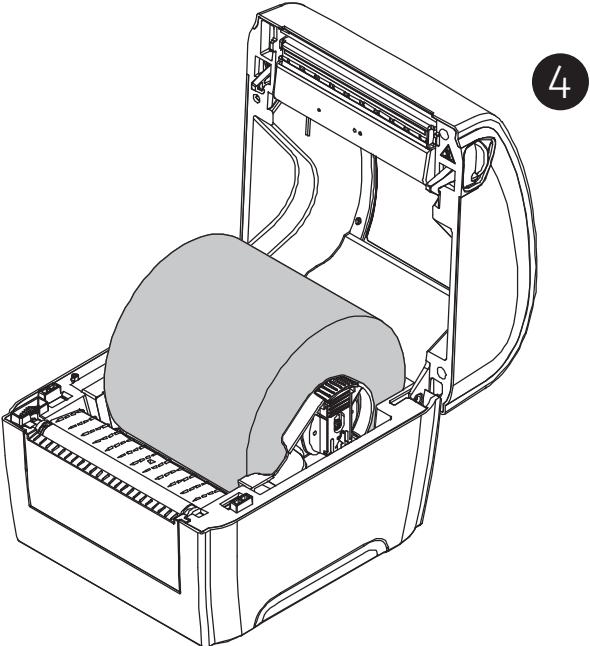
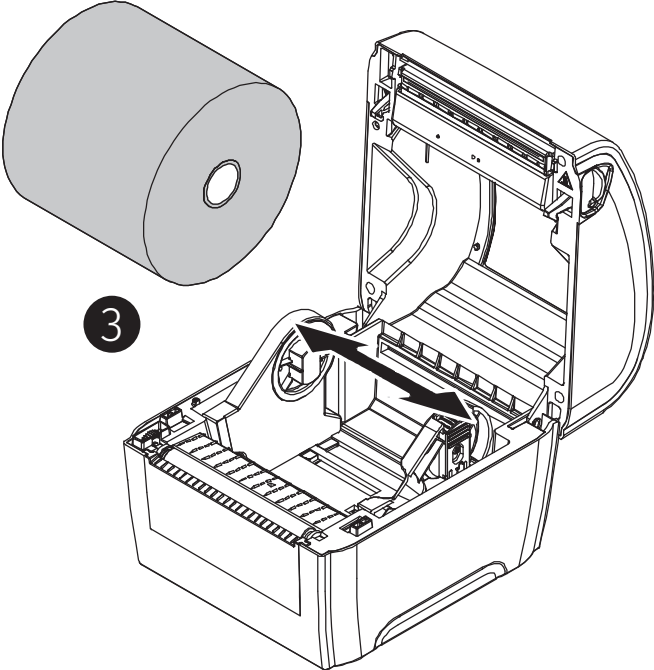
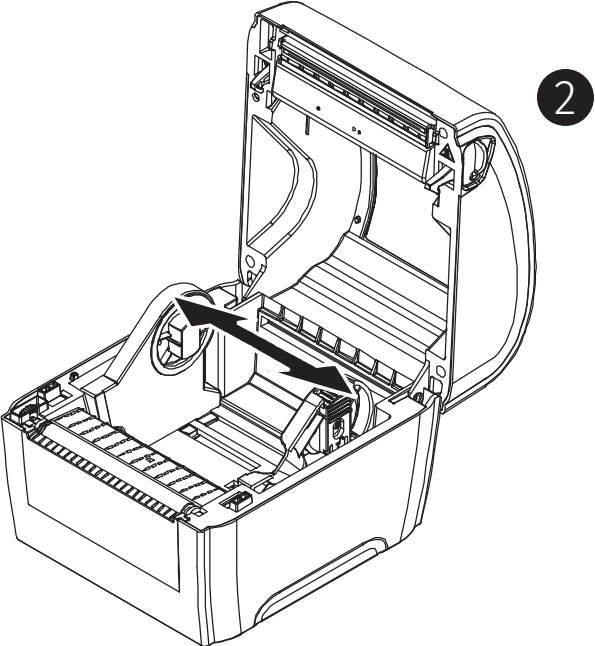
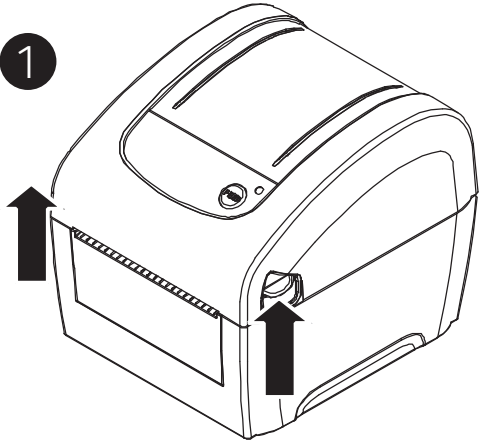
Printer Overview



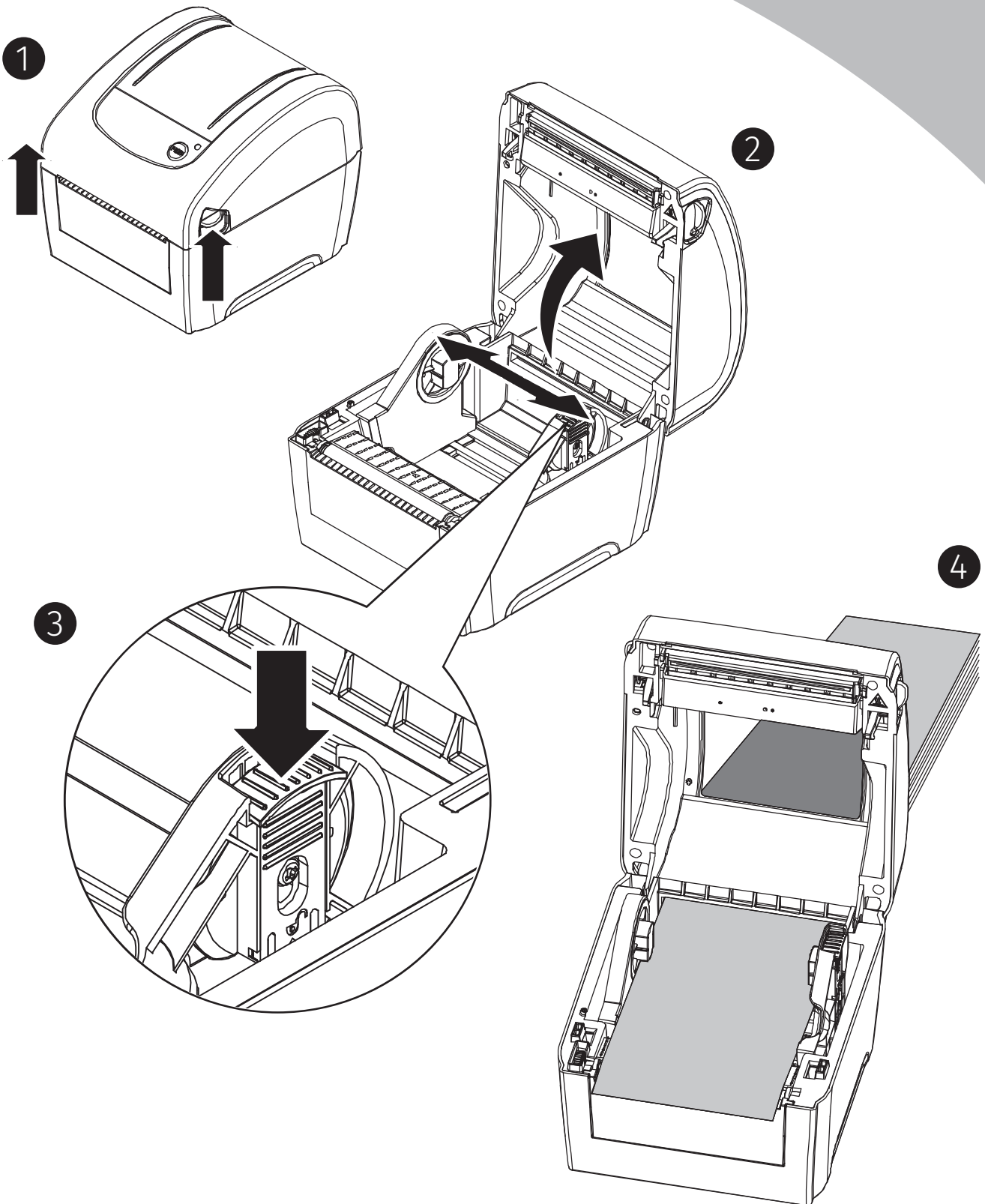
1. Feed/Pause button
2. LED indicators
3. Top cover open lever
4. External label entrance chute
5. Power switch
6. Power jack socket
7. USB interface
8. USB host
9. RS-232C interface
10. Ethernet interface
11. Print head
12. Gap sensor (transmitter)
13. Media viewer
14. Media holder
15. Platen roller
16. Black mark sensor/
Gap sensor (receiver)
17. Media holder lock switch



Loading Media



Loading External Media



Button Function:

1. Feed labels

When printer is ready, use the feed/pause button to feed next label to printing position.

2. Pause the printing job

While the printer is running, use the feed/pause button to stop the current print job. The LED flashes green while the printer is stopped. Press the button again to resume the print job.

Diagnostic Tool

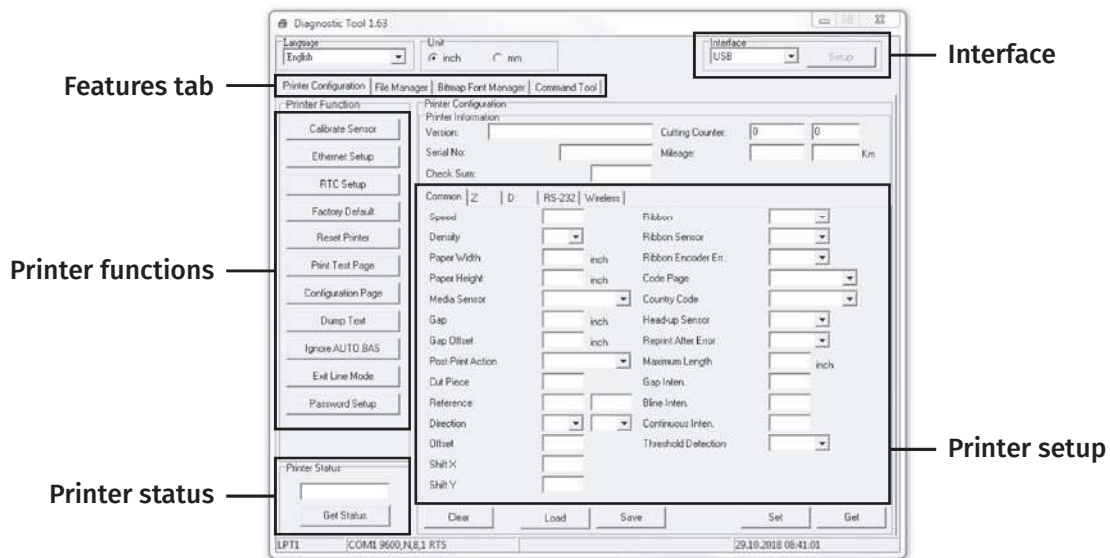
The Diagnostic Utility is an integrated tool to explore the printer settings/status, change the printer settings, download graphics, fonts and firmware, create a printer bitmap font and send additional commands to the printer. With this tool, you can review the printer status and settings.



MetoPrintEasy

Start the Diagnostic Tool:

1. Double click on the Diagnostic tool icon to start the software.
2. There are four features (Printer Configuration, File Manager, Bitmap Font Manager, Command Tool) included in the Diagnostic utility.



The detail functions are listed as below.

Printer Function	Function	Description
Calibrate Sensor	Calibrate Sensor	Calibrate the sensor specified in the Printer Setup group media sensor field.
Ethernet Setup	Ethernet Setup	Setup the IP address, subnet mask, gateway for the on board Ethernet.
RTC Setup	RTC Setup	Synchronize printer Real Time Clock with PC.
Factory Default	Factory Default	Initialize the printer and restore the settings to factory default.
Reset Printer	Reset Printer	Reboot printer.
Print Test Page	Print Test Page	Print a test page.
Configuration Page	Configuration Page	Print printer configuration.
Dump Text	Dump Text	To activate the printer dump mode.
Ignore AUTO.BAS	Ignore AUTO.BAS	Ignore the downloaded AUTO.BAS program.
Exit Line Mode	Exit Line Mode	Exit line mode.
Password Setup	Password Setup	Set the password to protect the settings.

Note:

For more information and features see user's manual (included on CD or online).